

DO NOT SCALE

2

3

THIRD ANGLE PROJECTION

5

6

IF IN DOUBT ASK

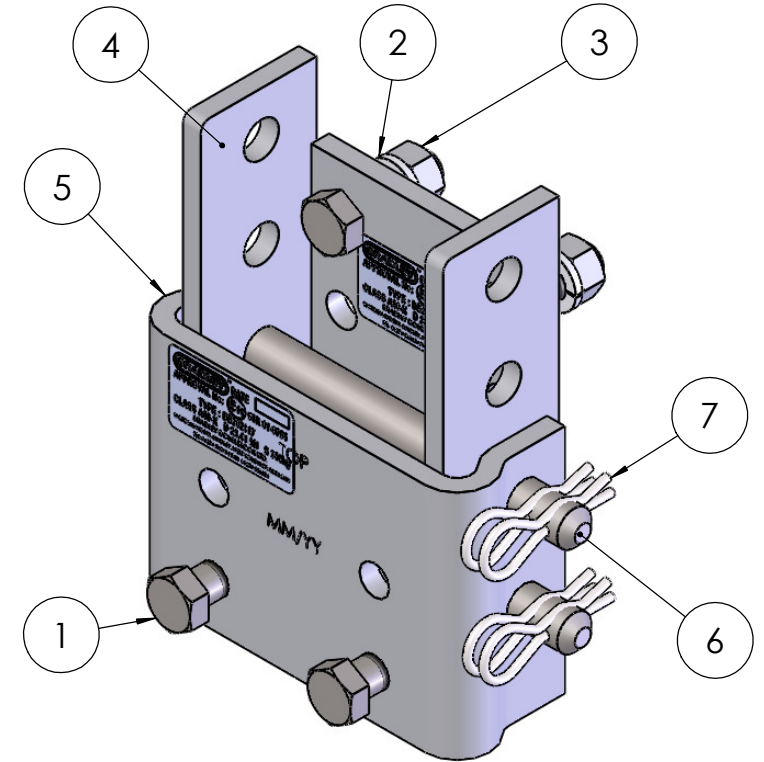
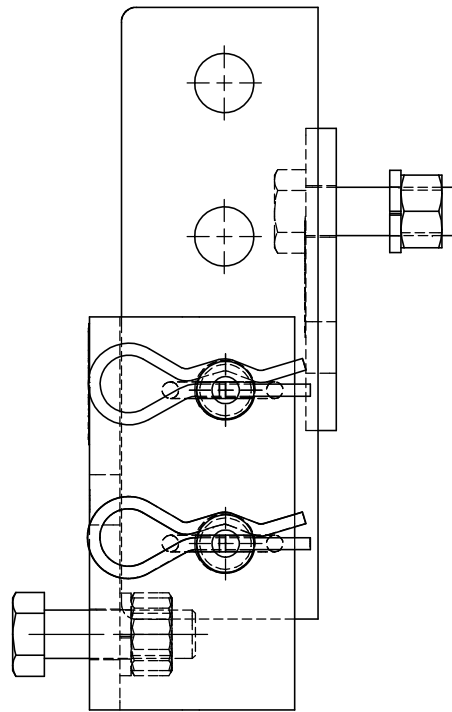
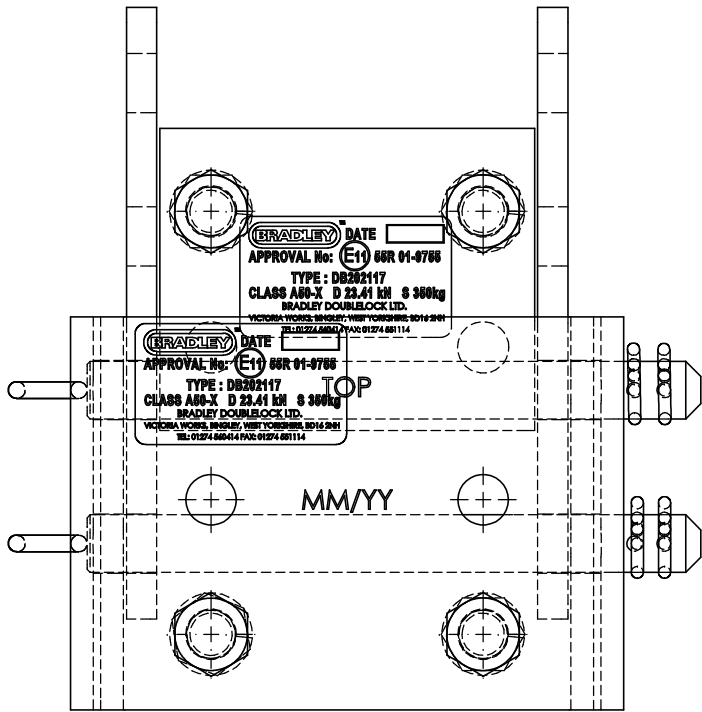
A

B

C

D

E



|      |          |                                      |     |
|------|----------|--------------------------------------|-----|
| 8    | 17381    | LABEL REG 55 - DB2020117 - 260MM ADJ | 2   |
| 7    | DB102960 | SPRING R CLIP                        | 4   |
| 6    | DB66702  | PIN ASSEMBLY                         | 2   |
| 5    | DB68248  | SLIDER PLATE TWIN HOLE               | 1   |
| 4    | DB68247  | FRAME W/ASSY                         | 1   |
| 3    | DB24580  | NUT-FULL-M16-HT-PL                   | 4   |
| 2    | DB39276  | WASHER-SPRING-16 DIA-1 COIL-PL       | 4   |
| 1    | DB20625  | BOLT-M16X2.00X50LG-HT-PL             | 4   |
| ITEM | PART No. | DESCRIPTION                          | QTY |

|     |          |          |
|-----|----------|----------|
| 04  | CN4360   | 15/01/13 |
| 03  | CN4339   | 29/10/12 |
| 02  | DBC0017  | 25/11/09 |
| 01  | N/A      | 05/12/05 |
| ISS | C.N. No. | DATE     |



THE INFORMATION CONTAINED IN THIS DRAWING IS THE SOLE PROPERTY OF BRADLEY DOUBLOCK LTD. ANY REPRODUCTION IN PART OR WHOLE WITHOUT THE WRITTEN PERMISSION OF BRADLEY DOUBLOCK LTD. IS PROHIBITED.

| NOMINAL DIMENSION  | DEFAULT TOLERANCES (mm) |       |        |          |           |            |       |  |
|--------------------|-------------------------|-------|--------|----------|-----------|------------|-------|--|
|                    | 0-3                     | >3 -6 | >6 -30 | >30 -120 | >120 -315 | >315 -1000 | >1000 |  |
| MACHINED           | ±0.1                    | ±0.1  | ±0.2   | ±0.3     | ±0.5      | ±0.8       | ±1.2  |  |
| CAST OR FABRICATED | -                       | ±0.2  | ±0.5   | ±0.8     | ±1.2      | ±2         | ±2    |  |
| ANGULAR            | ±0.5°                   | ±0.5° | ±0.5°  | ±0.5°    | ±0.5°     | ±0.5°      | ±0.5° |  |

|          |                                    |
|----------|------------------------------------|
| TITLE    | <b>TWO PIN ADJUSTABLE COUPLING</b> |
| MATERIAL |                                    |

|            |            |            |        |
|------------|------------|------------|--------|
| DRAWN BY   | DATE       | PART NO    | SHEET  |
| Tim Hare   | 19/11/2009 | DB202117   | 1 OF 2 |
| SCALE      | WEIGHT     | DRAWING NO | ISSUE  |
| 1:2.5 @ A4 | 7.10 Kg    | DB202117   | 4      |

S:\SOLIBASE\DB202117\3.DWG

DO NOT SCALE

2

3

THIRD ANGLE PROJECTION

5

6

IF IN DOUBT ASK

A

B

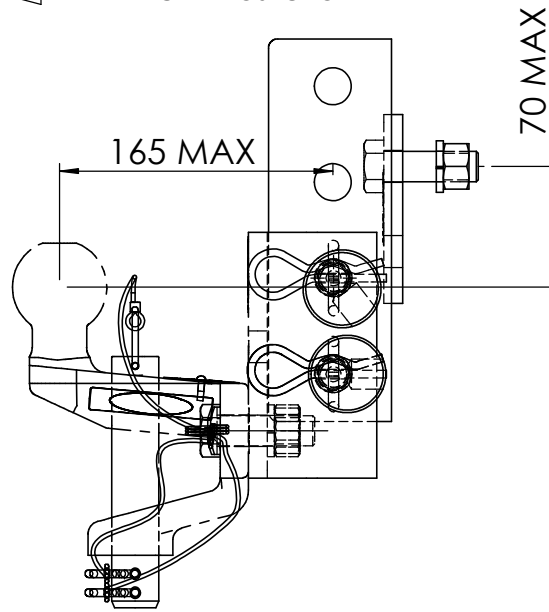
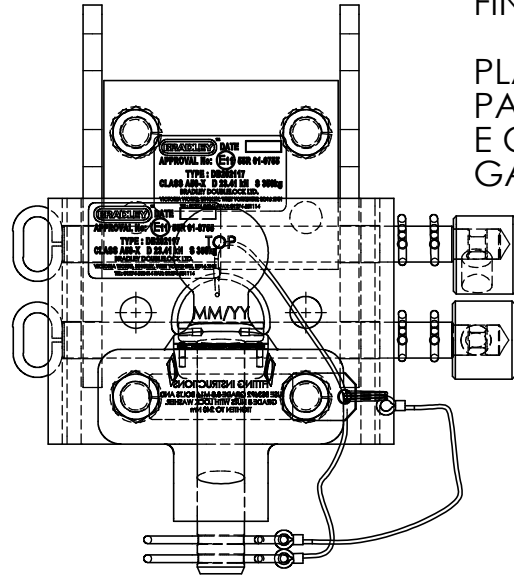
C

D

E

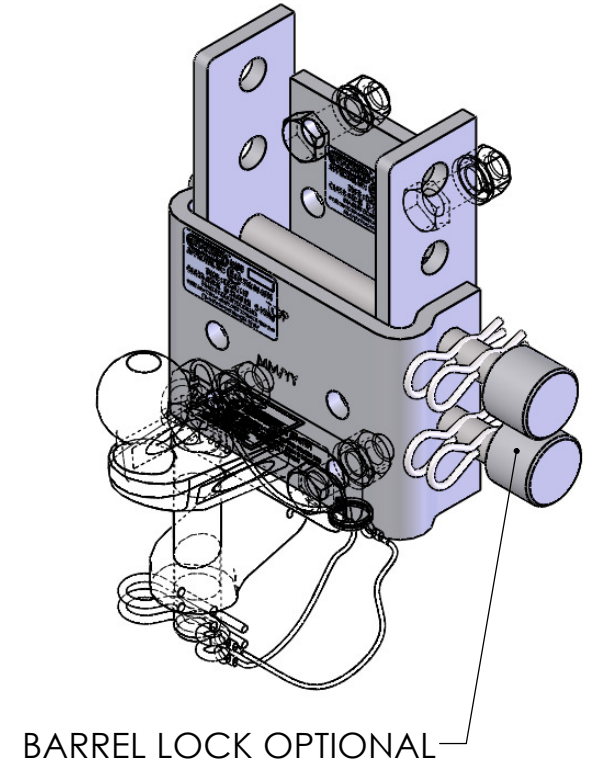
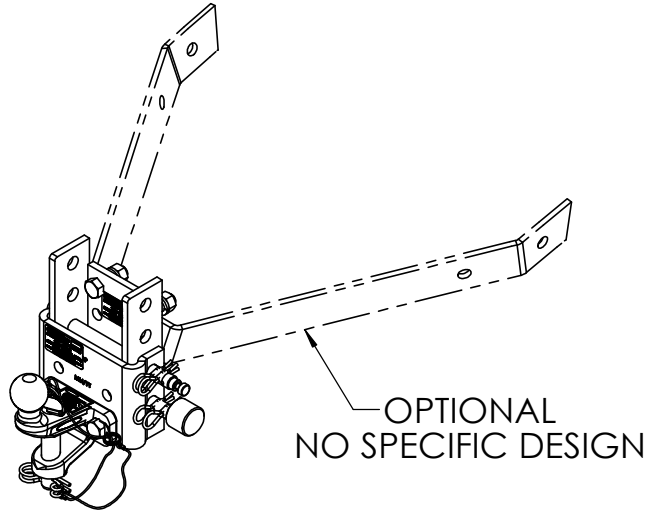
FINISH MAY BE

PLATED  
PAINTED  
E COAT  
GALVANISED



LABEL INFORMATION MAY BE

STAMPED  
ENGRAVED  
ADHESIVE OR RIVETED LABEL



|     |          |          |
|-----|----------|----------|
| 04  | CN4360   | 15/01/13 |
| 03  | CN4339   | 29/10/12 |
| 02  | DBC0017  | 25/11/09 |
| 01  | N/A      | 05/12/05 |
| ISS | C.N. No. | DATE     |



THE INFORMATION CONTAINED IN THIS DRAWING IS THE SOLE PROPERTY OF BRADLEY DOUBLOCK LTD. ANY REPRODUCTION IN PART OR WHOLE WITHOUT THE WRITTEN PERMISSION OF BRADLEY DOUBLOCK LTD. IS PROHIBITED.

| NOMINAL DIMENSION  | DEFAULT TOLERANCES (mm) |       |        |          |           |            |       |
|--------------------|-------------------------|-------|--------|----------|-----------|------------|-------|
|                    | 0-3                     | >3 -6 | >6 -30 | >30 -120 | >120 -315 | >315 -1000 | >1000 |
| MACHINED           | ±0.1                    | ±0.1  | ±0.2   | ±0.3     | ±0.5      | ±0.8       | ±1.2  |
| CAST OR FABRICATED | -                       | ±0.2  | ±0.5   | ±0.8     | ±1.2      | ±2         | ±2    |
| ANGULAR            | ±0.5°                   | ±0.5° | ±0.5°  | ±0.5°    | ±0.5°     | ±0.5°      | ±0.5° |

|          |                             |
|----------|-----------------------------|
| TITLE    | TWO PIN ADJUSTABLE COUPLING |
| MATERIAL |                             |

|          |            |            |
|----------|------------|------------|
| DRAWN BY | DATE       | PART NO    |
| LJ       | 05/11/2012 | DB202117   |
| SCALE    | WEIGHT     | DRAWING NO |
| 1:4 @ A4 | 7.10 Kg    | DB202117   |

|       |   |
|-------|---|
| SHEET | 2 |
| OF    | 2 |
| ISSUE | 4 |

S:\SOLBASE\DB202117\3.DWG